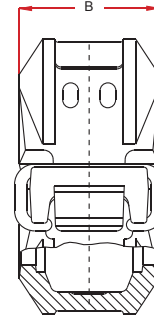
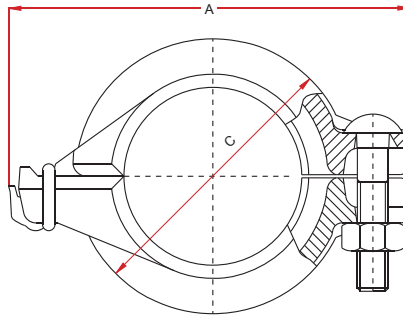


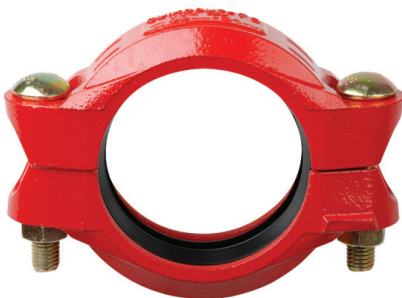
## ESNEK KAPLİN / FLEXIBLE COUPLING / Style 007 QUIKHINGE™



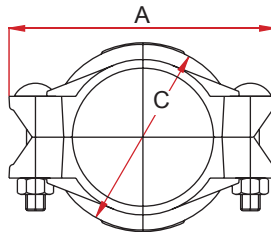
Maximum working pressure: 16 bar

Nominal Size (Inches / DN)	Pipe Outside Diameter	Coupling Dimensions			Bolts			Max. End Load in Newton ‡	Allowed Pipe End Separation mm (j)	Max. Deflection (from center line)		Weight Kg.	Approvals
		A	B	C	No.	Size x Length	Degrees per Cplg			Cm per 6 mtr. pipe.			
1" / 25	33.7	100.0	44.0	60.0	1	M10 x 51.0	1401	0-3,2	3°25'	35.7	0.53	FM / UL / VDS	
1¼" / 32	42.4	111.0	44.0	68.0	1	M10 x 57.0	2237	0-3,2	3°	31.4	0.62	FM / UL / LPCB / VDS	
1½" / 40	48.3	115.0	44.0	74.0	1	M10 x 57.0	2930	0-3,2	2°40'	28.0	0.61	FM / UL / LPCB / VDS	
2" / 50	60.3	129.0	45.0	89.0	1	M10 x 57.0	4567	0-3,2	2°25'	25.3	0.69	FM / UL / LPCB / VDS	
2½" OD	73.0	142.0	45.0	98.0	1	M10 x 57.0	6693	0-3,2	2°	21.0	0.85	FM / UL	
2½" / 65	76.1	145.0	45.0	102.0	1	M10 x 57.0	7293	0-3,2	2°	21.0	0.87	FM / UL / LPCB / VDS	
3" / 80	88.9	165.0	46.5	117.0	1	M10 x 57.0	9926	0-3,2	1°50'	19.2	1.10	FM / UL / LPCB / VDS	
4" / 100	114.3	198.0	50.0	149.0	1	M10 x 60.0	16409	0-6,4	2°25'	25.3	1.71	FM / UL / LPCB / VDS	
5" / 125	139.7	249.0	52.0	181.0	1	M12 x 89.0	24512	0-6,4	2°	21.0	2.95	FM / LPCB / VDS	
6" OD	165.1	272.0	52.0	208.0	1	M12 x 89.0	34236	0-6,4	1°30'	15.7	3.40	FM / LPCB	
6" / 150	168.3	272.0	52.0	208.0	1	M12 x 89.0	35576	0-6,4	1°30'	15.7	3.10	FM / UL / LPCB / VDS	

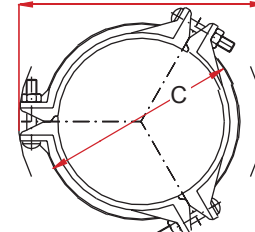
## ESNEK KAPLİN / FLEXIBLE COUPLING / Style 75



1¼"-12"



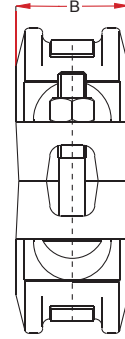
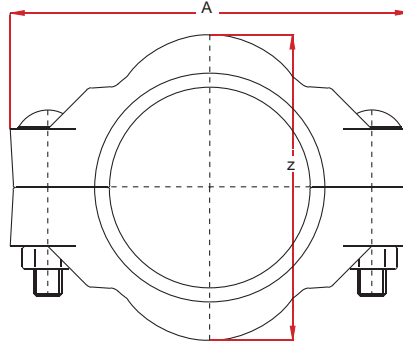
14"-16"



Maximum working pressure: 34.5 bar

Nominal Size (Inches / DN)	Pipe Outside Dia.	Coupling Dimensions			Bolts			Max. End Load in Newton ‡	Allowed Pipe End Separation mm (j)	Max. Deflection (from center line)		Weight Kg.	Approvals
		A	B	C	No.	Size x Length	Degrees per Cplg			Cm per 6 mtr. pipe.			
1¼" / 32	42.4	104.0	46.0	70.0	2	M10 x 51.0	4823	0 - 3,2	4°10'	44.2	0.68	FM / UL / LPCB / VDS	
1½" / 40	48.3	114.0	46.0	78.0	2	M10 x 51.0	6318	0 - 3,2	3°56'	42.1	0.80	FM / UL / LPCB / VDS	
2" / 50	60.3	125.0	46.0	91.0	2	M10 x 51.0	9847	0 - 3,2	3°25'	35.7	0.81	FM / UL / LPCB / VDS	
2½" OD	73.0	142.0	46.0	101.5	2	M10 x 51.0	14432	0 - 3,2	2°49'	29.5	0.98	FM / UL / VDS	
2½" / 65	76.1	144.0	46.0	106.0	2	M10 x 51.0	15725	0 - 3,2	2°23'	26.5	1.02	FM / UL / LPCB / VDS	
3" / 80	88.9	161.5	46.0	118.5	2	M12 x 76.0	21404	0 - 3,2	1°05'	11.3	1.34	FM / UL / LPCB / VDS	
4" OD	108.0	198.0	51.0	144.0	2	M12 x 76.0	31589	0 - 6,4	2°30'	26.7	1.97	FM / UL / VDS	
4" / 100	114.3	198.0	50.0	150.0	2	M12 x 76.0	35382	0 - 6,4	3°23'	35.4	1.94	FM / UL / LPCB / VDS	
5" OD	133.4	238.0	52.5	172.5	2	M16 x 89.0	48195	0 - 6,4	1°40'	17.4	3.18	FM / UL	
5" / 125	139.7	245.5	52.0	179.5	2	M16 x 89.0	52854	0 - 6,4	2°45'	28.8	3.22	FM / LPCB / VDS	
6" OD	159.0	271.0	53.5	207.0	2	M16 x 89.0	68295	0 - 6,4	2°09'	22.9	3.70	FM / VDS	
6" OD	165.1	276.0	52.0	207.0	2	M16 x 89.0	73822	0 - 6,4	2°12'	23.5	3.65	FM / UL / LPCB	
6" / 150	168.3	275.5	52.0	203.0	2	M16 x 89.0	76711	0 - 6,4	1°10'	12.5	3.20	FM / UL / LPCB / VDS	
8" / 200	219.1	345.0	60.0	269.0	2	M20 x 120.0	130009	0 - 6,4	1°41'	17.6	7.14	FM / UL / LPCB / VDS	
10" / 250	273.0	410.0	67.0	338.0	2	M22 x 181.0	201843	0 - 6,4	0°40'	7.2	10.41	VDS	
12" / 300	323.9	469.0	66.0	376.0	2	M22 x 181.0	284126	0 - 6,4	0°40'	7.2	11.33	VDS	
14" / 350	355.6	519.0	73.0	415.0	3	M22 x 140.0	342462	0 - 6,4	-	-	17.73		
16" / 400	406.4	580.0	73.0	470.0	3	M22 x 140.0	447297	0 - 6,4	-	-	20.52		

## AĞIR YÜK ESNEK KAPLİN / HEAVY DUTY FLEXIBLE COUPLING / **Style 07**



Maximum working pressure: 69 bar

Nominal Size (Inches / DN)	Pipe Outside Diameter	Coupling Dimensions			Bolts			Max. End Load in Newton ‡	Allowed Pipe End Separation mm §	Max. Deflection (from center line)		Weight Kg.	Approvals	
		A	B	C	No.	Size x Length	Degrees per Cplg			Cm per 6 mtr. pipe.				
1½" / 40	48.3	114.0	46.0	81.0	2	M10		56.0	12636	0-3.2	1°58'	21.0	0.89	FM
2" / 50	60.3	138.0	48.0	96.0	2	M12	x	76.0	19695	0-3.2	1°42'	17.8	1.50	FM / UL / LPCB
2½" / 65	76.1	146.0	48.0	110.0	2	M12	x	76.0	31451	0-3.2	1°22'	14.3	1.58	FM
3" / 80	88.9	170.0	48.0	130.0	2	M12	x	76.0	42808	0-3.2	1°05'	11.3	1.89	FM / UL / LPCB
4" / 100	114.3	210.0	56.0	162.0	2	M16	x	89.0	70764	0-6.4	1°40'	17.5	3.63	FM / UL / LPCB
5" / 125	139.7	252.0	56.0	192.0	2	M20	x	120.0	105709	0-6.4	1°25'	14.8	5.42	FM
6" / 150	168.3	282.0	56.0	223.0	2	M20	x	120.0	153422	0-6.4	1°10'	12.2	5.99	FM / UL / LPCB
8" / 200	219.1	352.0	64.0	284.0	2	M22	x	140.0	260018	0-6.4	0°51'	8.9	9.92	FM / UL / LPCB