

# Reliable®

## Model GL112 Quick Response Upright and Pendent Storage & Non-Storage Sprinklers

### K-factor: 11.2 (160 metric) (SIN R3226) Upright (SIN R3216) Pendent

#### Product Description

The Reliable Model GL112 is a standard coverage, Quick Response sprinkler utilizing a levered fusible alloy solder link in 165°F (74°C) or 212°F (100°C). The sprinkler has been designed to control high challenge fires in both palletized and rack storage occupancies, utilizing relatively low water pressures. This sprinkler is available with ¾" NPT or ISO7-1R3/4 threads.

#### Listings & Approvals

Approved by Factory Mutual (FM) as a storage and non-storage sprinkler.

#### Optional Guards and Water Shields

GL112 Upright	Water Shield (factory installed)	
	D-7 Guard & Water Shield	
GL112 Pendent	D-8 Guard	
	D-9 Guard & Water Shield	
	S-2 Water Shield	

#### Temperature Ratings

Classification	Sprinkler Rating		Maximum Ceiling Temperature		Frame Color
	°F	°C	°F	°C	
Ordinary	165	74	100	38	Uncolored
Intermediate	212	100	150	66	White

#### Maintenance

Model GL112 QR Sprinklers should be inspected and the sprinkler system maintained in accordance with NFPA 25. Do not clean sprinklers with soap and water, ammonia or any other cleaning fluids. Remove dust by using a soft brush or gentle vacuuming. Remove any sprinkler which has been painted (other than factory applied) or damaged in any way. A stock of spare sprinklers should be maintained to allow quick replacement of damaged or operated sprinklers. Prior to installation, sprinklers should be maintained in the original cartons and packaging until used to minimize the potential for damage to sprinklers that would cause improper operation or non-operation.



Model GL112 QR Upright



Model GL112 QR Pendent

## Installation

Reliable's Model GL112 QR sprinkler must be installed according to NFPA Standards or the appropriate FM Global Data Sheets for all area/density methods of design as well as the Authority Having Jurisdiction. Use only the Model H sprinkler wrench for sprinkler removal and installation. Any other type of wrench may damage the sprinkler.

**Note:** Sprinklers should be tightened between 14-20 ft/lbs (19-27,1 N-m) torque. Sprinklers not tightened to recommended torque may cause leakage or impairment of the sprinklers. Damage sprinklers must be replaced immediately.

## Ordering Information

Specify:

1. Sprinkler Model [GL112 Upright] [GL112 Pendent]
2. Temperature Rating [165 F (74C)], [212 °F (100 °C)]
3. Optional Guard or Water Shield

## Model H Wrench

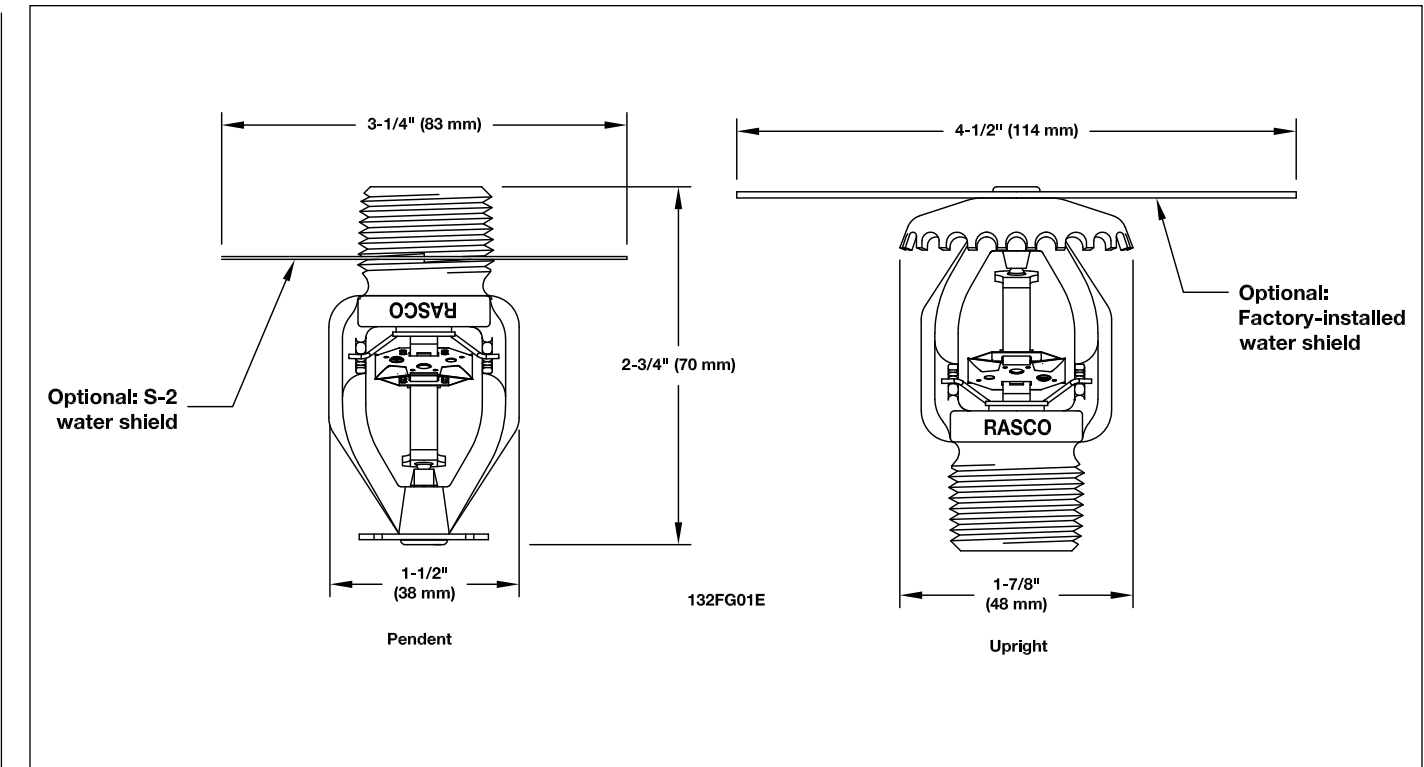


Fig. 1

ITEM	DESCRIPTION
Sprinkler Identification Number (SIN)	Upright R3226 Pendent R3216
K Factor US (Metric)	11.2 (160)
Thread Size	3/4" (ISO 7-IR3/4)
Sprinkler Orientation	Upright or Pendent
Maximum Working Pressure, PSI (bar)	175 PSI (12 bar)

Model GL112 Commodity Selection and Design Criteria Overview

Table B

Storage Type	NFPA	FM GLOBAL
Sprinkler Type	CMDA	Storage
Response Type	QR	QR
System Type	Pendent - Wet Upright - Wet, Dry, Preaction	Pendent- Wet Upright- Wet, Dry, Preaction
Temperature Rating F (C)	165,212 (74,100)	165,212 (74, 100)
Roof Construction	See NFPA 13	See FM Global 2-0
Ceiling Slope	See NFPA 13	See FM Global 2-0
Maximum Coverage Area	See NFPA 13	See FM Global 2-0
Minimum Coverage Area	See NFPA 13	See FM Global 2-0
Maximum Spacing	See NFPA 13	See FM Global 2-0
Minimum Spacing	See NFPA 13	See FM Global 2-0
Minimum Clearance to Commodity	See NFPA 13	See FM Global 2-0
Sprinkler Distance to Ceiling	See NFPA 13	See FM Global 2-0
Open Frame, Single, Double, Multiple Row, or Portable Rack Storage of Class I - IV, Cartoned Unexp Plastics	See NFPA 13	See FM 2-0 & 8-9
Solid Pile or Palletized Storage of Class I - IV and Cartoned Unexp Plastics	See NFPA 13	See FM 2-0 & 8-9
Idle Pallet Storage	See NFPA 13	See FM 2-0, 8-9 & 8-24
Rubber Tire Storage	See NFPA 13	"Upright N/A Pendent-See FM 8-3"
Rolled Paper Storage	See NFPA 13	See FM 8-21
Flammable Liquid Storage	See NFPA 13	See FM 7-29 & 8-9
Aerosol Storage	See NFPA 13	See FM 7-31
Auto Components in Portable Racks	See NFPA 13	N/A

The equipment presented in this bulletin is to be installed in accordance with the latest published Standards of the National Fire Protection Association, Factory Mutual Research Corporation, or other similar organizations and also with the provisions of governmental codes or ordinances whenever applicable.

Products manufactured and distributed by Reliable have been protecting life and property for over 90 years.

Manufactured by



**The Reliable Automatic Sprinkler Co., Inc.**  
 (800) 431-1588 Sales Offices  
 (800) 848-6051 Sales Fax  
 (914) 829-2042 Corporate Offices  
 www.reliablesprinkler.com Internet Address



Revision lines indicate updated or new data.