

# Reliable®

## Model F1 LO K 8.0 (115 metric) Standard Response Sprinklers

### Model F1 LO Sprinkler

Standard Spray Upright  
Standard Spray Pendent  
Extended Coverage Pendent  
Conventional

### Model F1 LO Recessed Sprinkler

Recessed Standard Spray Pendent  
Recessed Extended Coverage Pendent

### Approval Organizations

1. Underwriters Laboratories Inc. (UL)
2. Underwriters' Laboratories of Canada (ULC)
3. Factory Mutual Approvals (FM)
4. Loss Prevention Council (LPCB, UK)
5. VdS Schadenverhütung GmbH
6. EC Certificate: 1438-CPD-0041 (R1712)  
1438-CPD-0040 (R1722)

### UL Listing Category

Sprinklers, Automatic & Open (VNIV)

### Product Description

Model F1 LO series sprinklers are K8.0 (115) standard-response sprinklers with a glass bulb operating element. Model F1 LO sprinklers are available in a range of temperature ratings as indicated in the Temperature Ratings table in this Bulletin, which may be modified by the Installation Data for each specific model. Model F1 LO series sprinklers are available in a variety of finishes as indicated in the Finishes table in this Bulletin.

Standard spray Model F1 LO sprinklers are available in pendent, recessed pendent, and upright configurations. These sprinklers are listed and approved for installation in all occupancies where K8.0 (115) standard spray, standard-response sprinklers are permitted by the applicable installation standards.

Extended coverage pendent and recessed pendent Model F1 LO sprinklers are available for modifications or additions to existing light hazard sprinkler systems with standard-response sprinklers as well as for replacement of individual standard-response sprinklers in existing light hazard sprinkler systems.

A conventional (old-style) Model F1 LO sprinkler is also available.



Upright



Pendent



Conventional



Recessed Pendent



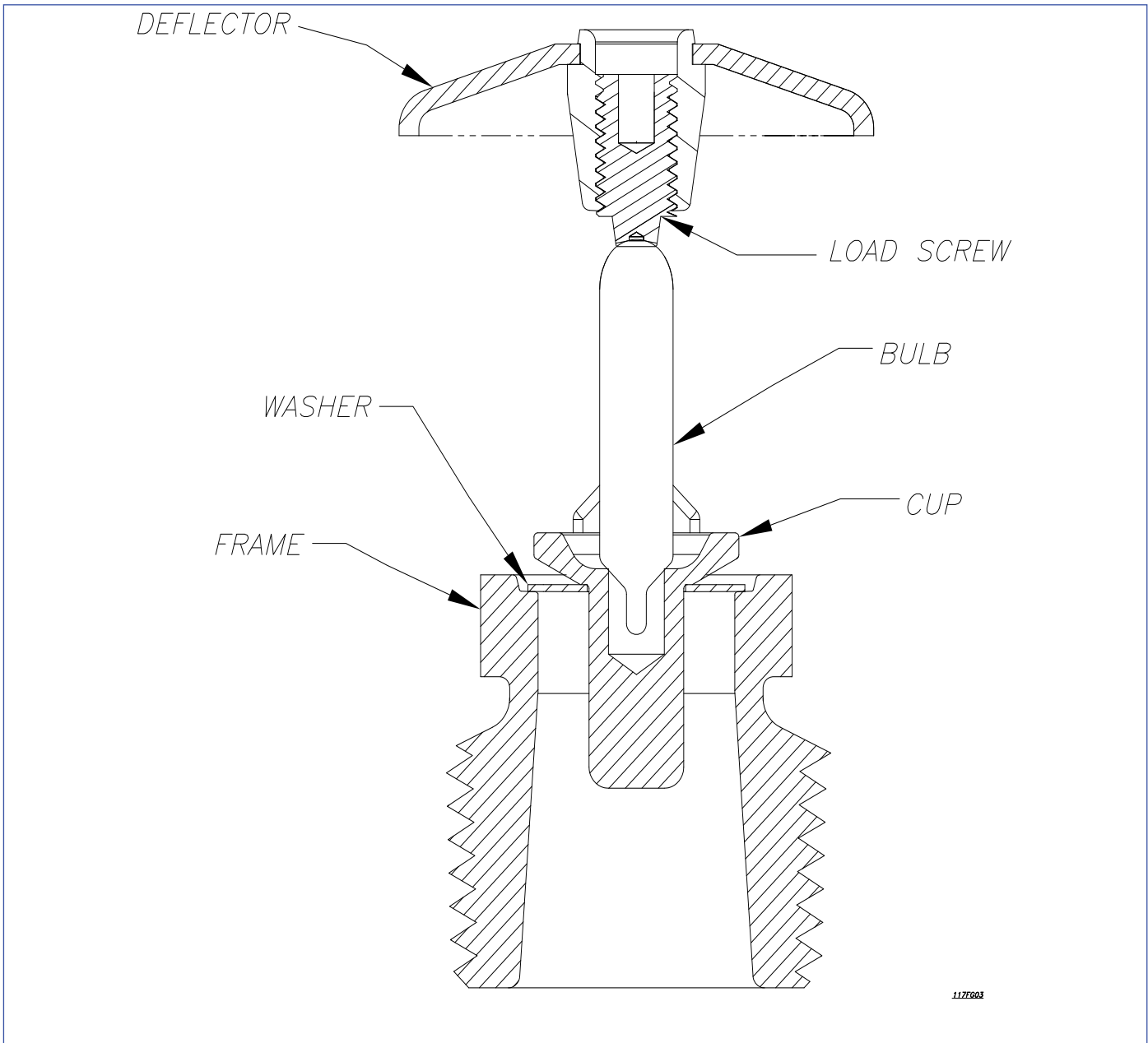
Extended Coverage  
Pendent



Recessed Extended  
Coverage Pendent

### Model F1 LO & F1 LO Recessed Sprinklers Application

Model F1 LO and F1 LO Recessed sprinklers are used in fixed fire protection systems: Wet, Dry, Deluge or Preaction. Care must be exercised that the orifice size, temperature rating, deflector style and sprinkler type are in accordance with the latest published standards of the National Fire Protection Association or the approving Authority Having Jurisdiction.



**Technical data:**

Models	Response	Deflector Orientation	Nominal K-Factor	Thread Size	Max. Working Pressure	Min. Working Pressure	Temperature Rating	Finish
F1 LO	Standard	Upright Pendent Conventional	K 8.0 (115 metric)	¾" NPT or ISO 7-1R¾	175 psi <sup>(1)</sup>	7 psi	See "Temperature Ratings" Table	See "Finish Table"

**Material Data:**

Frame	Deflector	Load Screw	Cup	Washer	Bulb
DZR Brass QM Brass	CDA Alloy 510	CDA Alloy 210, 220, 314, 316, 360 or CDA Alloy 544	CDA Alloy 314 or CDA Alloy 353	Nickel Alloy 440 or Alloy 360 coated with PTFE Adhesive Tape	Glass

See "Installation Data" tables for additional information on each sprinkler model.

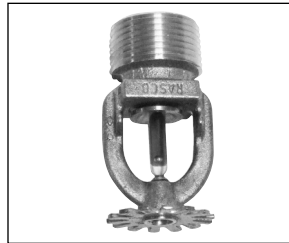
<sup>(1)</sup> Model F1 LO Pendent, Recessed Pendent, Extended Coverage Pendent, Extended Coverage Recessed Pendent, and Upright sprinklers (SIN R1712, R1722, R1742) are cULus Listed for 250 psi (17 bar).

## Model F1 LO Upright, Pendent & Conventional Sprinklers

Installation Wrench: Model W2 Sprinkler Wrench



Upright



Pendent



Conventional

### Installation Data:

Nominal Orifice	Thread Size	Nominal K-Factor		Sprinkler Height	Approval Organization	Sprinkler Identification Numbers (SIN)	
		US	Metric			Upright	Pendent
<b>Standard-Upright (SSU) and pendent Deflectors Marked to Indicate Position</b>							
17/32" (20mm)	3/4" NPT (R3/4)	8.0	115	2.3" (58mm)	1,2,3,4 <sup>(1)</sup> , 5, 6	R1722 <sup>(3)(4)(5)</sup>	R1712 <sup>(4)(5)</sup>
<b>Conventional-Install in Upright or Pendent Position</b>							
20mm	3/4" NPT (R3/4)	8.0	115	58.1mm	4, 5	R1772	

<sup>(1)</sup> LPCB Approval up to 286°F (141°C)

<sup>(2)</sup> Not Used

<sup>(3)</sup> Polycoated upright UL and ULC listed corrosion resistant R1722.

<sup>(4)</sup> FM Approved for polycoated sprinklers R1722, R1712.

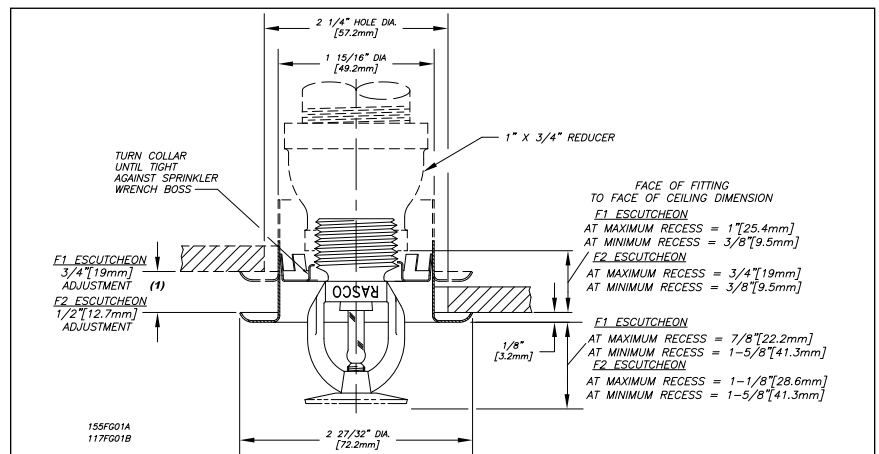
<sup>(5)</sup> Electroless Nickel PTFE Plated - cULus listed Corrosion Resistant.

## Model F1 LO Recessed Pendent Sprinkler

Installation Wrench: Model GFR2 Sprinkler Wrench



Recessed Pendent



<sup>(1)</sup> When installed directly into a tee, the escutcheon dimension's adjustment will be reduced.

### Installation Data:

Nominal Orifice	Thread Size	Nominal K-Factor		Sprinkler Height	Approval Organization	Sprinkler Identification Numbers (SIN)
		US	Metric			
17/32" (20mm)	3/4" NPT (R3/4)	8.0	115	2.3" (58mm)	1,2,3,4	R1712 <sup>(1)(2)</sup>

<sup>(1)</sup> LPCB Approval is for 57°C through 93°C ratings.

<sup>(2)</sup> Electroless Nickel PTFE Plated - cULus listed Corrosion Resistant.

## Model F1 LO Extended Coverage Pendant Sprinkler

**Deflector:** EC Pendant

**Installation Wrench:** Model W2 Sprinkler Wrench

**Approval Type:** Extended Coverage - Light Hazard Occupancy



Extended Coverage Pendant

Coverage Area					
Flow Rate		Pressure Nominal K=8.0 (115)		Max. Area Width x Length	
gpm	L/min	psi	bar	ft. x ft.	m x m
26	98.4	10.6	0,7	16 x 16	4.9 x 4.9
33	125.0	17.0	1,2	18 x 18	5.5 x 5.5
40	151.4	25,0	1,7	20 x 20	6.0 x 6.0

### Installation Data:

Nominal Orifice	Thread Size	Nominal K-Factor		Sprinkler Height	Approval Organization	Temperature Rating		Sprinkler Identification Numbers (SIN)
		US	Metric			°F	°C	
17/32" (20mm)	3/4" NPT (R3/4)	8.0	115	2.2" (56mm)	1,2	135, 155	57, 68	R1742 <sup>(1)</sup>

<sup>(1)</sup> Electroless Nickel PTFE Plated - cULus listed Corrosion Resistant.

## Model F1 LO Recessed Extended Coverage Pendant Sprinkler

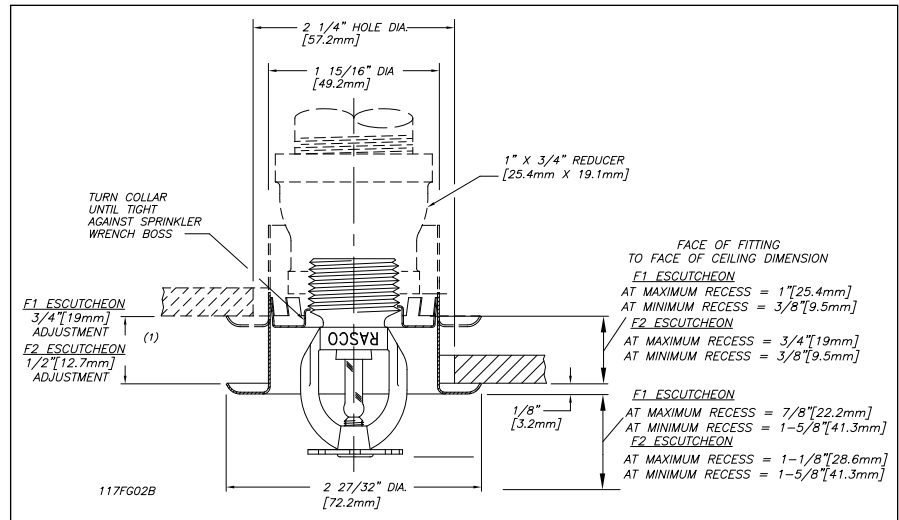
**Deflector:** EC Pendant

**Installation Wrench:** Model GFR2 Sprinkler Wrench

**Approval Type:** Extended Coverage - Light Hazard Occupancy



Recessed Pendant



<sup>(1)</sup> When installed directly into a tee, the escutcheon dimension's adjustment will be reduced.

Coverage Area					
Flow Rate		Pressure Nominal K=8.0 (115)		Max. Area Width x Length	
gpm	L/min	psi	bar	ft. x ft.	m x m
26	98.4	10.6	0,7	16 x 16	4.9 x 4.9
33	125.0	17.0	1,2	18 x 18	5.5 x 5.5
40	151.4	25,0	1,7	20 x 20	6.0 x 6.0

### Installation Data:

Nominal Orifice	Thread Size	Nominal K-Factor		Sprinkler Height	Approval Organization	Temperature Rating		Sprinkler Identification Numbers (SIN)
		US	Metric			°F	°C	
17/32" (20mm)	3/4" NPT (R3/4)	8.0	115	2.2" (56mm)	1,2	135, 155	57, 68	R1742 <sup>(1)</sup>

<sup>(1)</sup> Electroless Nickel PTFE Plated - cULus listed Corrosion Resistant.

## Installation

Model F1 LO sprinklers are standard response sprinklers intended for installation as specified in NFPA 13. They must also be installed with the Model W2 Sprinkler Wrench specifically designed by Reliable for use with these sprinklers.

The Model F1 LO Recessed Sprinklers are to be installed with a maximum recess of 3/4 inch (19mm). The Model F1 Escutcheon illustrated is the only recessed escutcheon to be used with the Model F1 LO Pendent and EC Sprinklers. The use of any other recessed escutcheon will void all approvals and negate all warranties. When installing Model F1 LO Recessed Pendent and EC Pendent Sprinklers, use the Model GFR2 Sprinkler Wrench. Any other type of wrench may damage these sprinklers. **Note:** A leak tight 3/4" NPT (R/4) sprinkler joint can be obtained with a torque of 14 - 20 ft-lbs (19 - 27 N-m). Do not tighten sprinklers over maximum recommended torque. It may cause leakage or impairment of the sprinklers.

Glass bulb sprinklers have orange covers to protect the bulb during the installation process. REMOVE THIS PROTECTION ONLY AFTER THE SYSTEM HAS BEEN HYDROSTATICALLY TESTED AND, WHEN APPLICABLE, THE ESCUTCHEONS HAVE BEEN INSTALLED. RASCO wrenches are designed to install sprinklers when covers are in place.

## Maintenance

The Models F1 LO sprinklers should be inspected and the sprinkler system maintained in accordance with NFPA 25. Do not clean sprinklers with soap and water, ammonia or any other cleaning fluid. Remove any sprinkler which has been painted (other than factory applied) or damaged in any way. A stock of spare sprinklers should be maintained to allow quick replacement of damaged or operated sprinklers. Prior to installation, sprinklers should be maintained in the original cartons and packaging until used to minimize the potential for damage to sprinklers that would cause improper operation or non-operation.

## Ordering Information

### Specify:

1. Sprinkler Model: F1 LO
2. Sprinkler Type
3. Temperature Rating
4. Sprinkler Finish
5. Thread Type: [3/4" NPT] [ISO 7-1R3/4]
6. Escutcheon Finish (where applicable)

## Temperature Ratings

Classification	Sprinkler Temperature		Maximum Ambient Temperature		Bulb Color
	°F	°C	°F	°C	
Ordinary	135	57	100	38	Orange
Ordinary	155	68	100	38	Red
Intermediate	175	79	150	66	Yellow
Intermediate	200	93	150	66	Green
High <sup>(1)</sup>	286	141	225	107	Blue
Extra High <sup>(1)</sup>	360	182	300	149	Mauve

<sup>(1)</sup> Not Available for F1 LO Recessed

## Maximum Working Pressure

175 psi (12 bar)

SIN R1712, R1722 & R1742 cULus listed for 250 psi (17 bar)

100% Factory tested hydrostatically to 500 psi (34.5 bar)

## Finishes<sup>(1)</sup>

Standard Finishes	
Sprinkler	Escutcheon
Bronze	Brass
Chrome	Chrome
Polyester Coated <sup>(6)(7)</sup>	White Painted
Special Application Finishes	
Sprinkler	Escutcheon
Electroless Nickel PTFE <sup>(8)</sup>	Electroless Nickel PTFE
Bright Brass <sup>(2)</sup>	Bright Brass
Black Plated	Black Plated
Black Paint <sup>(3)(4)(7)</sup>	Black Paint
Off White <sup>(3)(7)</sup>	Off White
Chrome Dull	Chrome Dull
Lead Plated <sup>(3)(4)</sup>	
Wax Coated <sup>(3)(4)(5)</sup>	
Wax Over Lead <sup>(3)(4)</sup>	

<sup>(1)</sup> Other colors and finishes are available on special order. Consult factory for details. Custom color painted sprinklers may not retain their UL Corrosion resistance listing.

<sup>(2)</sup> 200°F (93°C) maximum.

<sup>(3)</sup> UL and ULC listed, and NYC approved only.

<sup>(4)</sup> 155°F to 200°F (68°C to 93°C) ratings only.

<sup>(5)</sup> 286°F (141°C) sprinklers may be coated for ambient conditions not exceeding 150°F (66°C).

<sup>(6)</sup> UL listed corrosion resistant SIN number:

R1722 in standard Black or White. Corrosion resistance in other polyester colors is available upon request.

<sup>(7)</sup> FM Approved for SIN R1722, R1712.

<sup>(8)</sup> cULus listed Corrosion Resistant SIN R1722, R1712 & R1742 in Electroless Nickel PTFE Plated.

The equipment presented in this bulletin is to be installed in accordance with the latest published Standards of the National Fire Protection Association, Factory Mutual Research Corporation, or other similar organizations and also with the provisions of governmental codes or ordinances whenever applicable.

Products manufactured and distributed by Reliable have been protecting life and property for over 90 years.

Manufactured by



### Reliable Automatic Sprinkler Co., Inc.

(800) 431-1588

(800) 848-6051

(914) 829-2042

www.reliablesprinkler.com

Sales Offices

Sales Fax

Corporate Offices

Internet Address



Recycled Paper

Revision lines indicate updated or new data.

EG. Printed in U.S.A. 01/19 P/N 999970011