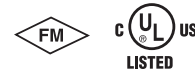


# Gate Valves



- SERIES 771H OS&Y GROOVE x GROOVE
- SERIES 772H NRS GROOVE x GROOVE
- SERIES 771F OS&Y GROOVE x FLANGE
- SERIES 772F NRS GROOVE x FLANGE
- SERIES 773 WALL POST INDICATOR
- SERIES 774 UPRIGHT POST INDICATOR

- All are c-UL-us listed and FM approved.
- Series 771H Outside Stem and Yoke (OS&Y), Series 772H NRS (Non-Rising Stem) Groove x Groove, Series 771F OS&Y and Series 772F Groove x Flange are available in: 2 1/2 – 12”/65 – 300mm sizes
- Valves are designed for service up to 250 psi/1725 kPa

Victaulic gate valves feature three internal parts making maintenance simple. The disc is rubber encapsulated for true compression sealing and the reduction of wear and jamming. The Series 771H OS&Y and Series 771F OS&Y gate valves are used when positive shut off is required and a quick visual indicator of open/closed position is required. The Series 772H NRS and Series 772F NRS gate valves are typically used for shut-off service where the valve is operated remotely, such as when the valve is behind a wall or buried. Series 772H NRS and Series 772F NRS gate valves are offered with optional wall (Series 773) or upright (Series 774) post indicators.



## MATERIAL SPECIFICATIONS

### Series 771 OS & Y and 772 NRS Gate Valves

- Body:** Ductile iron conforming to ASTM A-536
- Body Gasket:** EPDM
- Body Bolts & Nuts:** Steel or optional stainless steel
- Handwheel:**
  - Standard on Series 771, Optional on Series 772 (2" square nut standard). Cast iron conforming to ASTM A-126-B
  - Standard on Series 771H OS&Y and Series 771F OS&Y. Optional on Series 772H and Series 772F NRS (2" square nut standard). Cast iron conforming to ASTM A-126-B.
- OS & Y Yoke (Series 771 only):** Cast iron conforming to ASTM A-126-B
- Bonnet:** Cast iron conforming to ASTM A-126-B
- Bonnet/Body Coating:** Fusion bonded Epoxy coating
- Disc:** Cast iron, EPDM coated
- Disc Nut:** Bronze, conforming to ASTM B62
- Stem:** Brass, ASTM B16

Continued on page 2.

### JOB/OWNER

System No. \_\_\_\_\_  
 Location \_\_\_\_\_

### CONTRACTOR

Submitted By \_\_\_\_\_  
 Date \_\_\_\_\_

### ENGINEER

Spec Sect \_\_\_\_\_ Para \_\_\_\_\_  
 Approved \_\_\_\_\_  
 Date \_\_\_\_\_

## Gate Valves

SERIES 771H OS&Y GROOVE x GROOVE  
SERIES 772H NRS GROOVE x GROOVE  
SERIES 771F OS&Y GROOVE x FLANGE  
SERIES 772F NRS GROOVE x FLANGE  
SERIES 773 WALL POST INDICATOR  
SERIES 774 UPRIGHT POST INDICATOR

### MATERIAL SPECIFICATIONS

Continued from page 1

**O-Ring Seals:** EPDM

**Optional:**

- **Indicator Post Flange:** Cast iron conforming to ASTM A-126B, available for NRS valves only

**Series 773 & 774 Indicators**

**Target Frame:** Bronze conforming to ASTM B62

**Window:** Polycarbonate

**Series 773 Wall Post Indicator:**

**Body:** Cast iron conforming to ASTM A-126-B

**Operating Stem:** Bronze conforming to ASTM B62

**Operating Rod:** Carbon steel

**Series 774 Upright Indicators:**

**Body:** Cast iron conforming to ASTM A-126-B

**Extension Sleeve:** Cast iron conforming to ASTM A-126-B

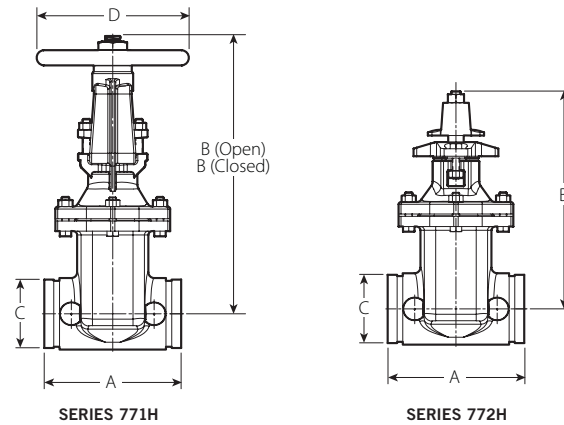
# Gate Valves

- SERIES 771H OS&Y GROOVE x GROOVE
- SERIES 772H NRS GROOVE x GROOVE
- SERIES 771F OS&Y GROOVE x FLANGE
- SERIES 772F NRS GROOVE x FLANGE
- SERIES 773 WALL POST INDICATOR
- SERIES 774 UPRIGHT POST INDICATOR

## DIMENSIONS

Series 771H OS&Y and Series 772H Grooved x Grooved

Size		Dimensions – Inches/mm						Approx. Weight Each Lbs./kg	
Nomial Size Inches mm	Actual Outside Dia. Inches mm	A	Series 771H Height B		Series 772H Height B	C	D	Series 771H	Series 772H
			Closed	Open					
2½ 65	2.875 73.0	7.52 191	12.76 324	14.88 378	10.00 254	2.88 73	7.00 178	30.6 13.9	29.3 13.3
3 80	3.500 88.9	8.00 203	19.02 483	22.00 559	13.86 352	3.50 89	10.00 254	73.0 33.2	62.9 28.6
4 100	4.500 114.3	9.00 229	19.49 495	23.50 597	14.33 364	4.50 114	10.00 254	78.8 35.8	68.6 31.2
165.1 mm	6.500 165.1	10.50 267	26.14 664	32.13 816	18.27 464	6.50 165	12.00 305	146.5 66.6	116.8 53.1
6 150	6.625 168.3	10.50 267	26.14 664	32.13 816	18.27 464	6.63 168	12.00 305	146.5 66.6	116.8 53.1
8 200	8.625 219.1	11.50 292	32.13 816	40.12 1019	21.69 551	8.63 219	14.00 356	238.5 108.4	187.2 85.1
10 250	10.750 273.0	13.00 330	40.12 1019	50.12 1273	25.63 651	10.75 273	16.00 406	344.7 156.7	297.7 135.3
12 300	12.750 323.9	14.02 356	46.89 1191	59.25 1505	29.13 740	12.75 324	18.00 457	489.5 222.5	394.9 179.5



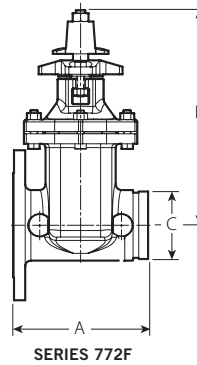
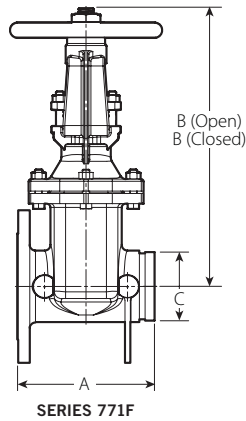
# Gate Valves

- SERIES 771H OS&Y GROOVE x GROOVE
- SERIES 772H NRS GROOVE x GROOVE
- SERIES 771F OS&Y GROOVE x FLANGE
- SERIES 772F NRS GROOVE x FLANGE
- SERIES 773 WALL POST INDICATOR
- SERIES 774 UPRIGHT POST INDICATOR

## DIMENSIONS

Series 771F OS&Y and Series 772F Flanged x Grooved come standard with an ANSI Class 150 flange. Other sizes are available. Contact Victaulic for details.

Size		Dimensions – Inches/mm					Approx. Weight Each Lbs./kg	
Nomial Size Inches mm	Actual Outside Dia. Inches mm	A	Series 771F Height B		Series 772F Height B	C	Series 771F	Series 772F
			Closed	Open				
2½ 65	2.875 73.0	7.52 191	12.76 324	14.88 378	10.00 254	2.88 73	37.8 17.2	36.5 16.6
3 80	3.500 88.9	8.00 203	19.02 483	22.00 559	13.86 352	3.50 89	78.8 35.8	68.6 31.2
4 100	4.500 114.3	9.00 229	19.49 495	23.50 597	14.33 364	4.50 114	89.5 40.7	80.1 36.4
165.1 mm	6.500 165.1	10.50 267	26.14 664	32.13 816	18.27 464	6.50 165	156.0 70.9	126.3 57.4
6 150	6.625 168.3	10.50 267	26.14 664	32.13 816	18.27 464	6.63 168	156.0 70.9	126.3 57.4
8 200	8.625 219.1	11.50 292	32.13 816	40.12 1019	21.69 551	8.63 219	248.8 113.1	197.6 89.8
10 250	10.750 273.0	13.00 330	40.12 1019	50.12 1273	25.63 651	10.75 273	358.4 162.9	311.3 141.5
12 300	12.750 323.9	14.02 356	46.89 1191	59.25 1505	29.13 740	12.75 324	536.8 244.0	442.2 201.0



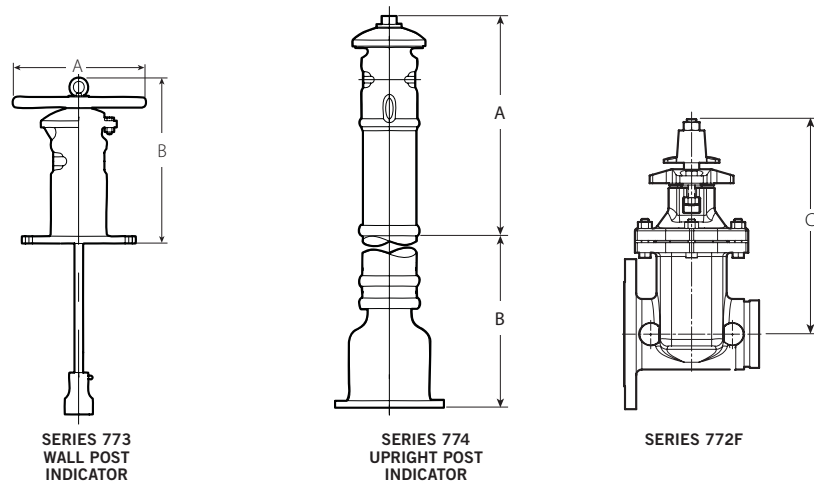
# Gate Valves

- SERIES 771H OS&Y GROOVE x GROOVE
- SERIES 772H NRS GROOVE x GROOVE
- SERIES 771F OS&Y GROOVE x FLANGE
- SERIES 772F NRS GROOVE x FLANGE
- SERIES 773 WALL POST INDICATOR
- SERIES 774 UPRIGHT POST INDICATOR

## DIMENSIONS

Series 773 Wall Post Indicator  
 Series 774 Upright Post Indicator

Post Indicator	Dimensions – Inches/millimeters			Approx. Weight Ea.
	A	B-min.	B-max.	Lbs. kg
Series 773 Wall	14.00 356	18.50 470	—	90.0 40.8
Series 774 Upright	36.20 919	32.00 813	56.00 1422	250.0 113.4



Post Indicator – Typical Dimensions (For Upright & Wall) Inches/mm		
Nominal Size Inches mm	C Dimension from Centerline to Top of the Operating Nut	Approximate No. of Turns to Open
2½ 65	10.00 254	7
3 80	13.86 352	8
4 100	14.33 364	11
165.1 mm	18.27 464	13
6 150	18.27 464	13
8 200	21.69 551	16
10 250	25.63 651	20
12 300	29.13 740	24

NOTE: Series 772H and Series 772F NRS Gate Valves must be equipped with a mounting plate if used with the Series 774 Upright Post Indicator. Contact Victaulic for details.

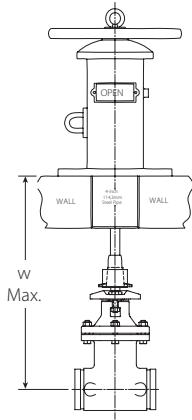
Series 773 and Series 774 Post Indicators are intended for use on NRS valves only.

## Gate Valves

SERIES 771H OS&Y GROOVE x GROOVE  
 SERIES 772H NRS GROOVE x GROOVE  
 SERIES 771F OS&Y GROOVE x FLANGE  
 SERIES 772F NRS GROOVE x FLANGE  
 SERIES 773 WALL POST INDICATOR  
 SERIES 774 UPRIGHT POST INDICATOR

### DIMENSIONS

Series 773 Wall Post Indicator  
 Maximum Distance from Exterior Wall  
 Surface



Size		Maximum Distance from Exterior of Wall
Nominal Size Inches mm	Actual Outside Dia. Inches mm	Inches mm
2½ 65	2.875 73.0	33.0 838
3 80	3.500 88.9	36.9 936
4 100	4.500 114.3	37.3 948
165.1 mm	6.500 165.1	41.3 1048
6 150	6.625 168.3	41.3 1048
8 200	8.625 219.1	44.7 1135
10 250	10.750 273.0	48.6 1235
12 300	12.750 323.9	52.1 1324

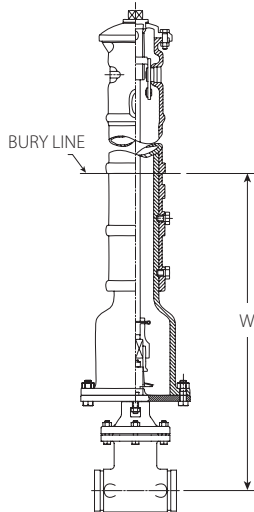
NOTE: Dimensions given are for standard rod length. Greater distances may be achieved. Contact Victaulic for details.

# Gate Valves

- SERIES 771H OS&Y GROOVE x GROOVE
- SERIES 772H NRS GROOVE x GROOVE
- SERIES 771F OS&Y GROOVE x FLANGE
- SERIES 772F NRS GROOVE x FLANGE
- SERIES 773 WALL POST INDICATOR
- SERIES 774 UPRIGHT POST INDICATOR

## DIMENSIONS

Series 774 Upright Post Indicator  
Bury Depth



Size		W Bury Depth Inches mm	
Nomial Size Inches mm	Actual Outside Dia. Inches mm	Minimum	Maximum
2½ 65	2.875 73.0	38.55 979	62.55 1589
3 80	3.500 88.9	41.93 1065	65.93 1675
4 100	4.500 114.3	42.41 1077	66.41 1687
165.1 mm	6.500 165.1	45.76 1162	68.76 1747
6 150	6.625 168.3	45.76 1162	69.76 1772
8 200	8.625 219.1	49.14 1248	73.14 1858
10 250	10.750 273.0	53.23 1352	77.23 1962
12 300	12.750 323.9	56.78 1442	80.78 2052

## Gate Valves

SERIES 771H OS&Y GROOVE x GROOVE  
SERIES 772H NRS GROOVE x GROOVE  
SERIES 771F OS&Y GROOVE x FLANGE  
SERIES 772F NRS GROOVE x FLANGE  
SERIES 773 WALL POST INDICATOR  
SERIES 774 UPRIGHT POST INDICATOR

---

**WARRANTY**

Refer to the Warranty section of the current Price List or contact Victaulic for details.

---

**NOTE**

This product shall be manufactured by Victaulic or to Victaulic specifications. All products to be installed in accordance with current Victaulic installation/assembly instructions. Victaulic reserves the right to change product specifications, designs and standard equipment without notice and without incurring obligations.



---

For complete contact information, visit [www.victaulic.com](http://www.victaulic.com)

10.92 3003 REV D UPDATED 11/2006

VICTAULIC IS A REGISTERED TRADEMARK OF VICTAULIC COMPANY. © 2006 VICTAULIC COMPANY. ALL RIGHTS RESERVED. PRINTED IN THE USA..

10.92\_8

